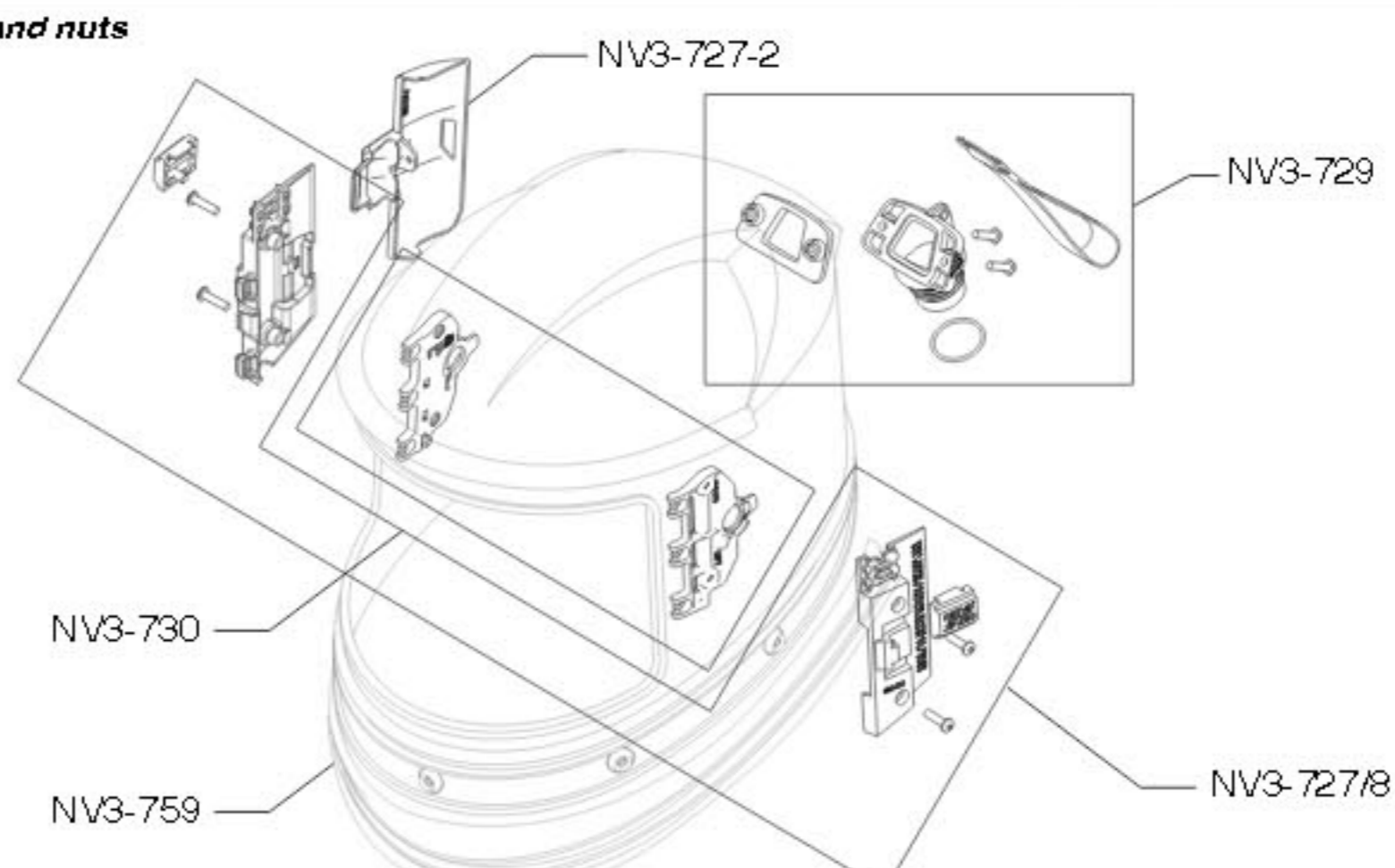


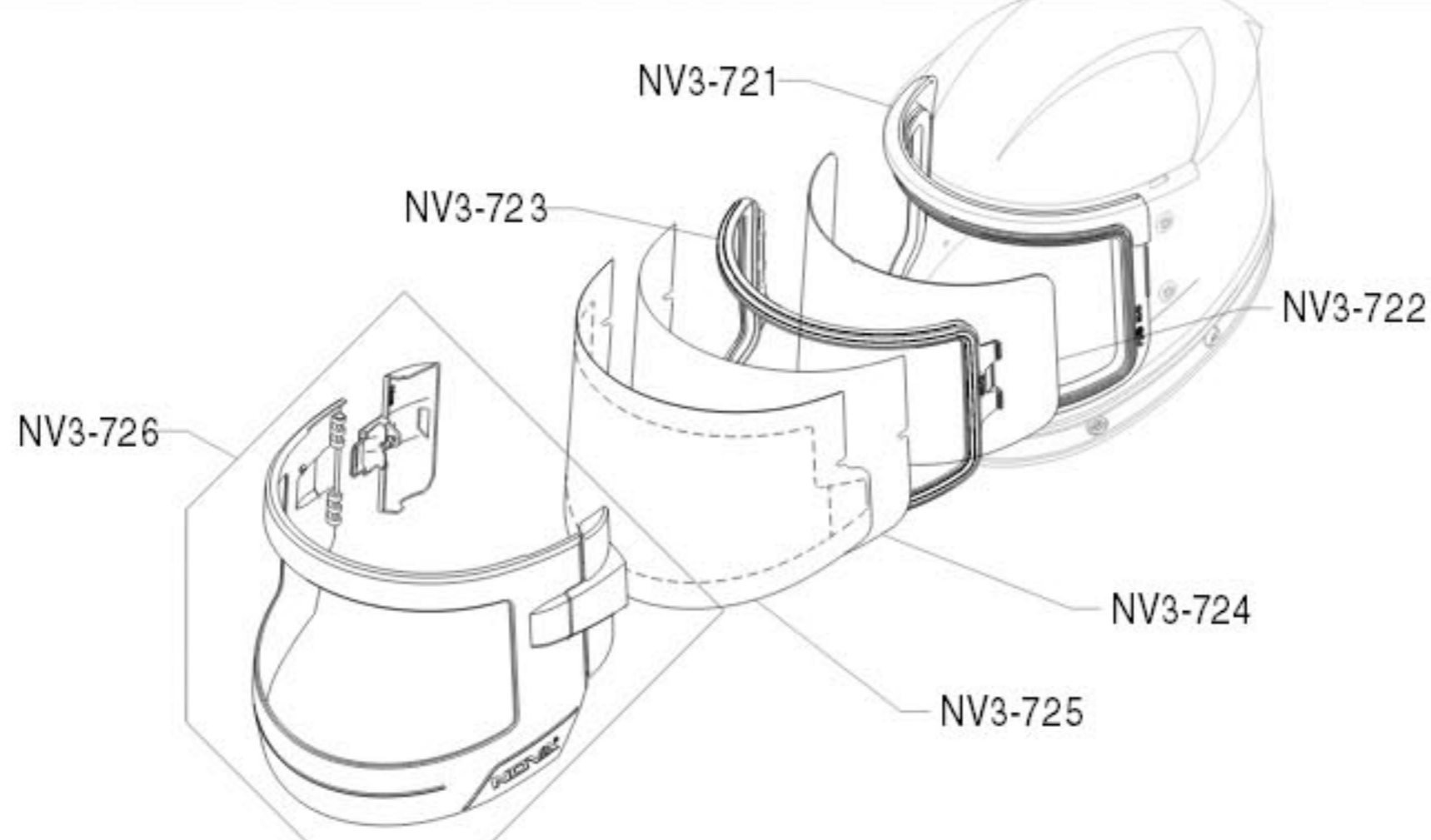
HELMET COMPONENTS - Fig 7.2

All kits contain screws and nuts when necessary



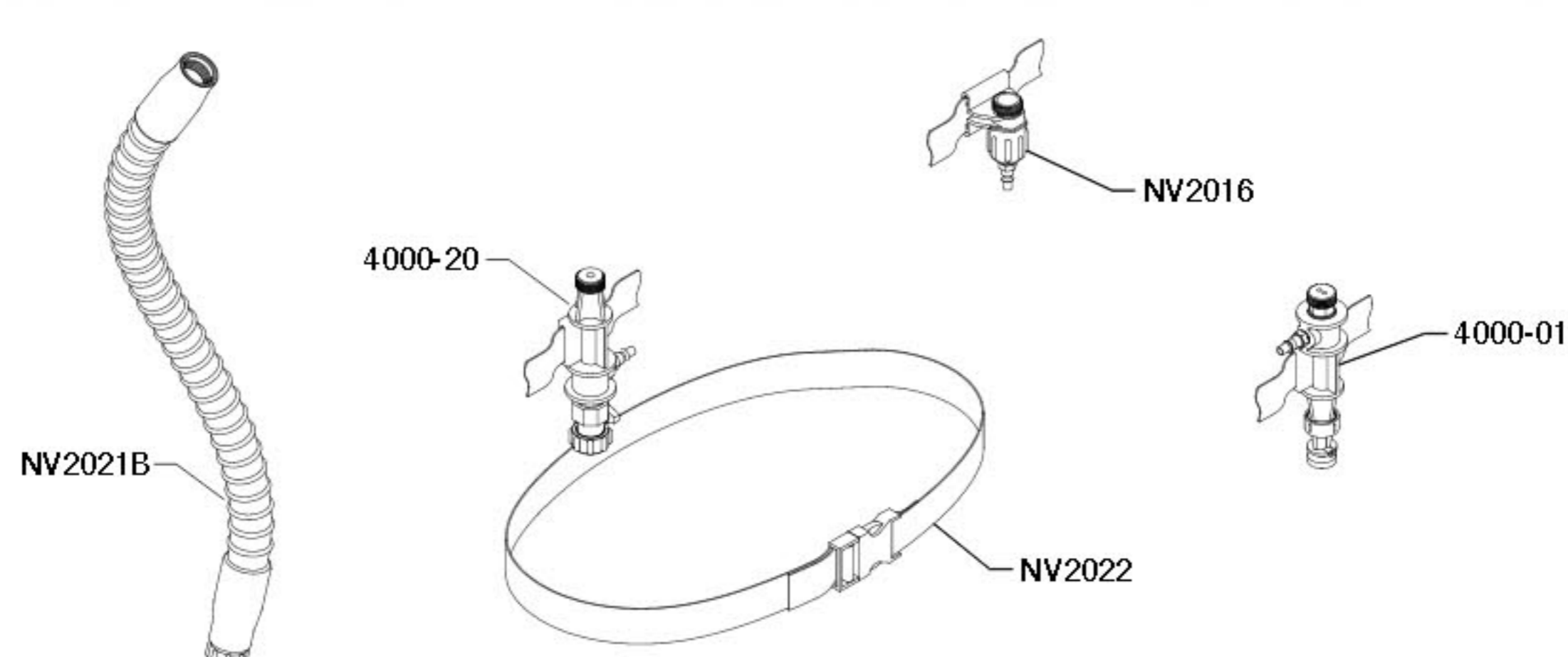
- NV3-727-2 - Visor Hinge Lock
- NV3-727/8 - Visor Latch Mount Kit - *Includes: Latch Mount, Hinge Mount, Covers*
- NV3-729 - Air Inlet Kit - *Includes: Air Inlet, O-Ring, Back Plate, Hanging Strap*
- NV3-730 - Padding Connectors (left & right)
- NV3-759 - Cape Coverband

VISOR AND LENSES - Fig 7.3



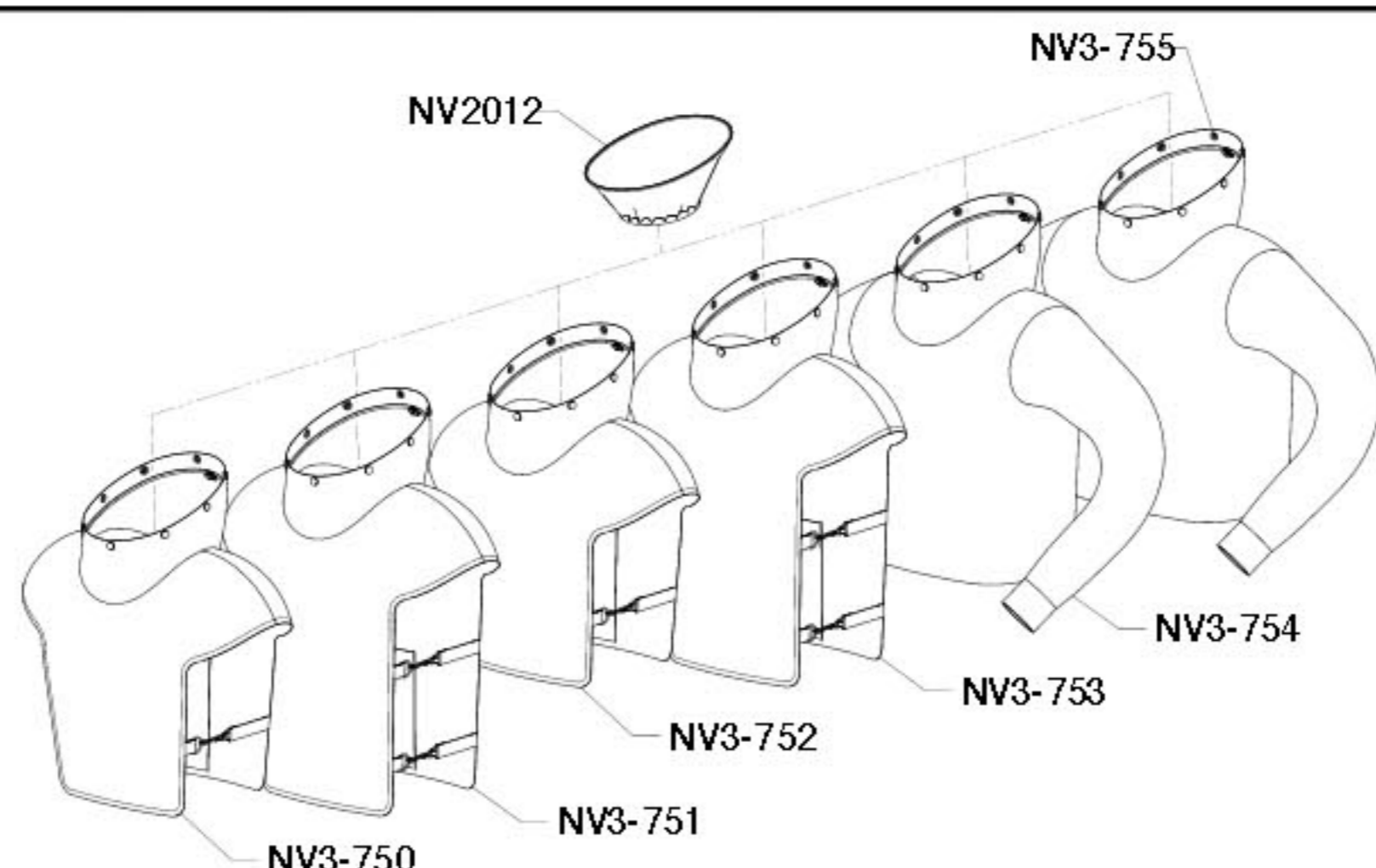
- NV3-721 - Inner Gasket
- NV3-722 - Inner Lens pk 10
- NV3-723 - Inner Lens Frame
- NV3-724 - Outer Lens pk 50
- NV3-725 - Tear Off Lens pk 50
- NV3-726 - Visor Kit - *Includes: Visor with Hinge Pin and Latch, Hinge Lock*

BREATHING TUBE & FLOW CONTROL DEVICE - Fig 7.4



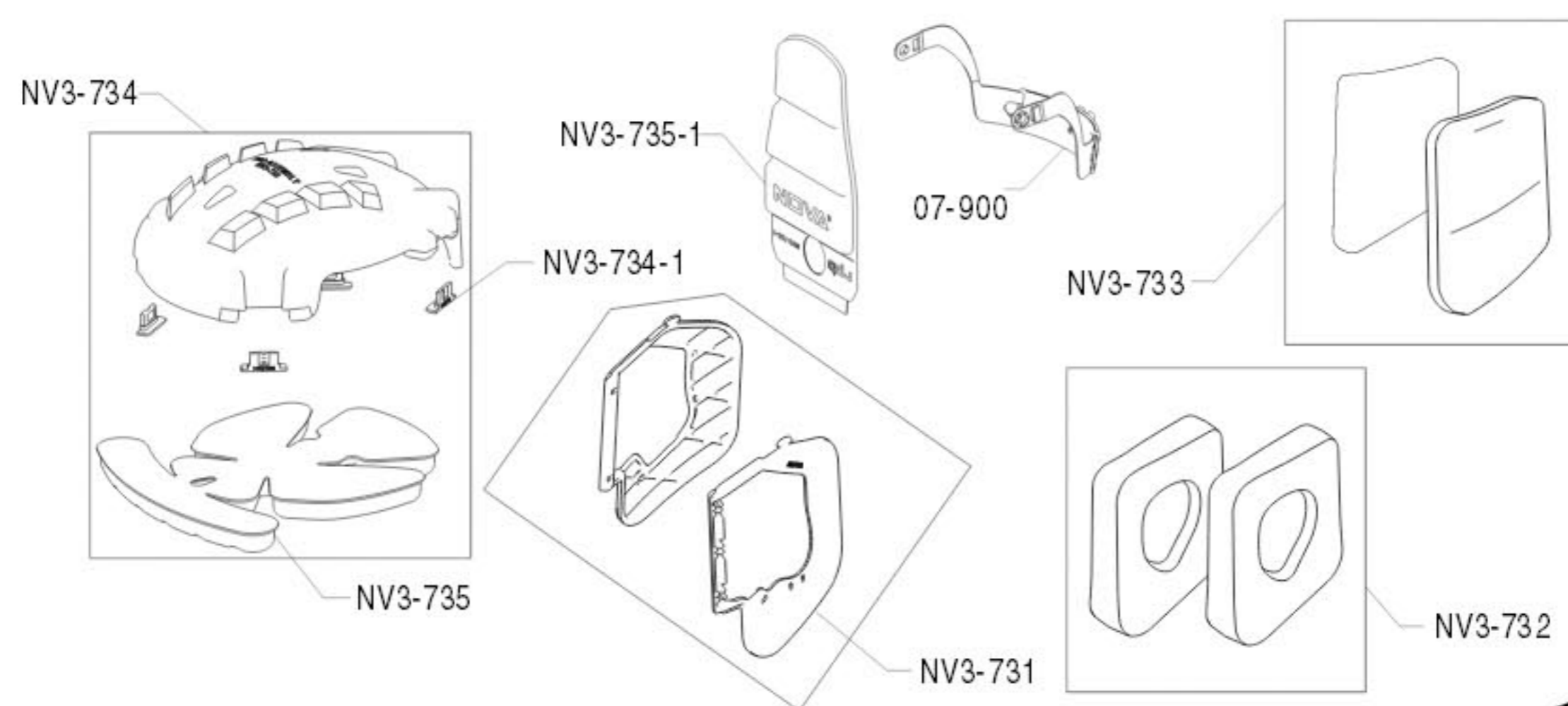
- NV2021B - Breathing Tube (dark grey)
- NV2022 - Belt
- NV2016 - Flow Control Valve Assembly - *Includes: Flow Control Valve, Belt*
- 4000-01 - Cool Air Tube Assembly - *Includes: Cool Air Tube, Belt*
- 4000-20 - Hot Air Tube Assembly - *Includes: Hot Air Tube, Belt*

RESPIRATOR CAPES - Fig 7.5



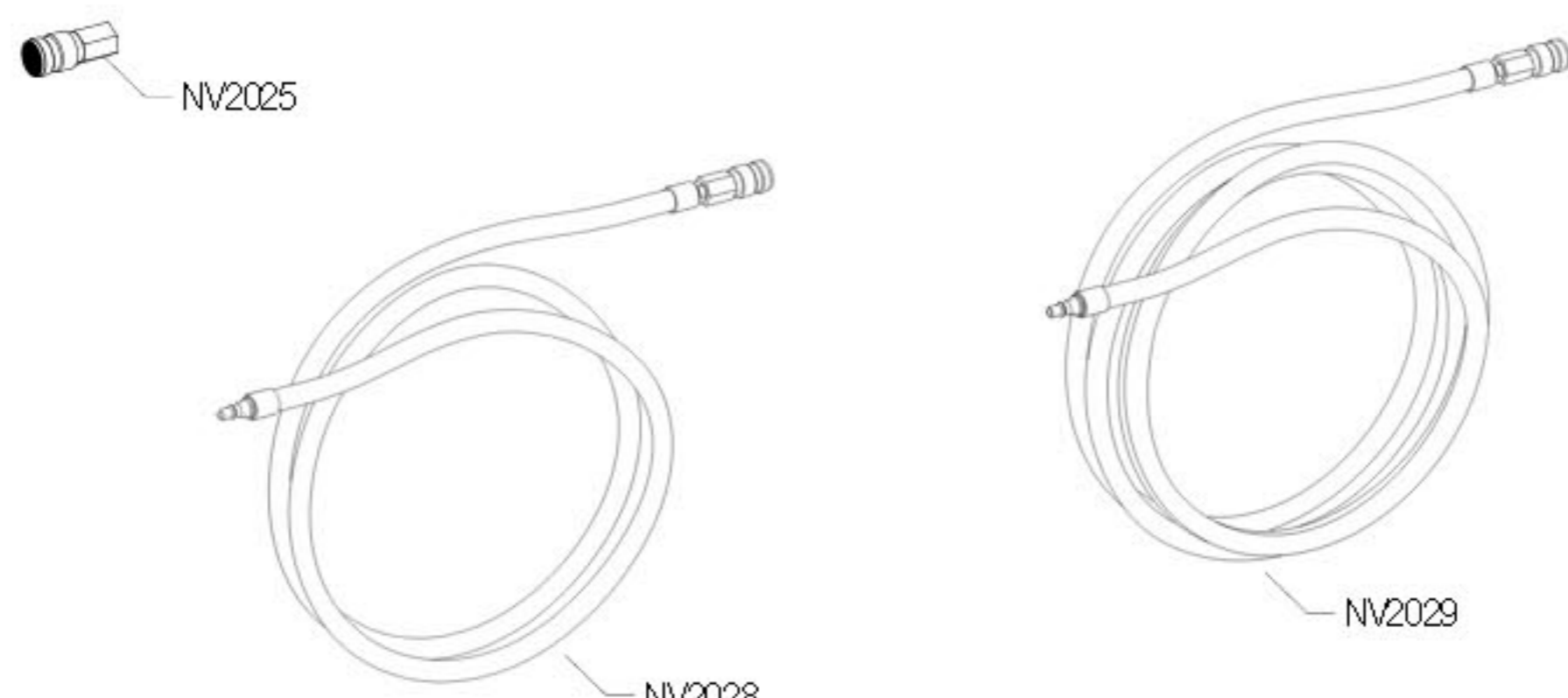
- NV3-750 - 28" Nylon Cape
- NV3-751 - 38" Nylon Cape
- NV3-752 - 28" Leather Cape
- NV3-753 - 38" Leather Cape
- NV3-754 - 28" Nylon Cape
- NV3-755 - Blast Jacket Size XXL
- NV2012 - Inner Bib

PADDING SYSTEMS - Fig 7.6



- NV3-731 - Side Padding Frames (left & right)
- NV3-732-XXX - Side Padding, where XXX indicates size and style. Contact your distributor for options
- NV3-733 - Side Padding Covers (left & right)
- NV3-734 - Head Liner Kit - *Includes: Head Liner, Head Liner Foam Padding, Head Liner Clips x4*
- NV3-734-1 - Head Liner Clips, pack of 4
- NV3-735 - Head Liner Padding
- NV3-735-1 - Neck Pad
- 07-900 - Adjustable Head Support

AIR SUPPLY HOSES - Fig 7.7



- NV2028 - 25ft Air Supply Hose
- NV2029 - 50ft Air Supply Hose
- NV2025 - Quick Release Coupler