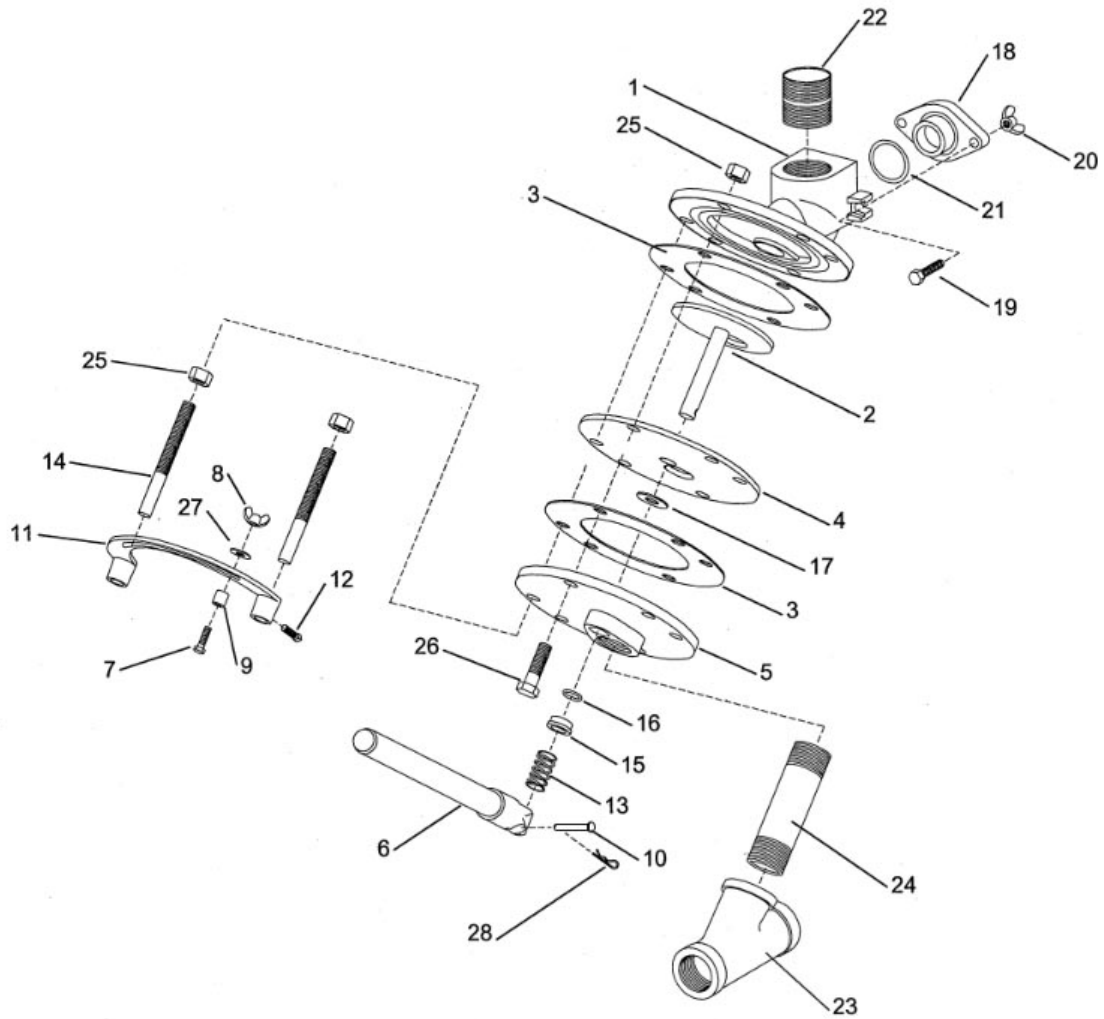


Clemco Flat Sand Valve



No	Part No	Description
	02427	Metering Valve, complete
1	02422	Upper Body
2	02423	Valve disc w/ stem
3	02424	Gasket, rubber, 2 required
4	02425	Disc-stainless
5	02426	Lower body
6	20498	Metering handle, heavy duty
7	03053	Cap screw, 1/4-NC x 1" hex head
8	03113	Wing nut, 1/4-NC
9	02431	Handle bolt spacer
10	20246	Valve handle pin
11	02433	Gauge unit
12	03080	Set screw, 1/4-NC x 1/2" Square head
13	01982	Spring, compression
14	02436	Stud
15	02437	Packing gland
16	21165	O-Ring, 7/8" OD
17	02439	Gasket, shaft
18	02440	Inspection plate
19	03152	Cap screw 5/16 - NC x 1" hex head
20	03213	Wing nut, 5/16"-NC
21	01990	O-Ring
22	01791	Nipple, heavy wall 1-1/2" x close
23	01818	Wye, standard 1-1/4"
24	01860	Nipple, heavy wall 1-1/4" x 5"
25	03511	Nut, 1/2-NC hex
26	03455	Cap screw, 1/2-NC x 1-3/4" hex head
27	03116	Washer, 1/4" Flat
28	20245	Hitch pin