



**CLEMCO**  
The Performance System

**TECHNICAL DATA SHEET**

*Note: For safe, efficient blasting, read and follow the owner's manual and seek training for everyone who will use this equipment.*

**Purpose**

Allows connection of nylon blast hose to the blast machine.

**Description of Operation**

The CFP coupling attaches at the blast machine pusher line outlet to allow quick connection to any blast hose fitted with Clemco quick couplings.

**Advantages**

- Fiber-reinforced nylon material springs back from most impacts that would dent or deform metal couplings
- Built-in lock-springs eliminate need for safety pins

**Related Clemco Literature**

Description	Stock No.
Contractor Series Catalog .....	21385
Abrasive Blasting Safety Practices .....	22090
Blast Off 2 .....	09294
Safety Cable TDS.....	21970

**Options and Accessories**

Description	Stock No.
Coupling Gasket (10 pack) .....	08853
Safety Cable .....	15013
Lock-spring (25 pack).....	21585

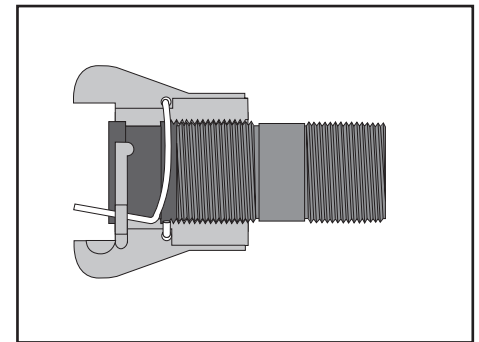
**Description**

Fiber-reinforced 1 1/4 inch threaded nylon quick coupling to fit abrasive blast machine outlet. Comes bonded to schedule 80 pipe.



**CFP Threaded Quick Couplings**

Stock Nos. 10806, 21733, 21734, 21735



Model	Stock No.	Pipe Attachment Dimensions	For:
CFP-2C	21733	1 1/4" x 6 1/2"	2 cu ft Contractor Machine
CFP-4C	21734	1 1/4" x 8"	4 cu ft Contractor Machine
CFP-6C	21735	1 1/4" x 10"	6 cu ft Contractor Machine
CFP-P	10806	1 1/4" x 3"	All standard blast machines with 1" or 1 1/4" piping

**Packaging**

Ships loose

Model	Dimensions	Weight
CFP-2C	3 1/2" x 2 5/8" x 8 1/2"	1.4 lb
CFP-4C	3 1/2" x 2 5/8" x 10"	1.6 lb
CFP-6C	3 1/2" x 2 5/8" x 12"	2 lb
CFP-P	3 1/2" x 2 5/8" x 5"	0.8 lb

**Color**

Yellow

Authorized Distributor:



www.canfieldjoseph.com  
800-364-5452

ISO 9001:2008 certified. Clemco is committed to continuous product improvement. Specifications are subject to change without notice.