



CLEMCO
The Performance System

TECHNICAL DATA SHEET

Note: For safe, efficient blasting, read and follow the owner's manual and seek training for everyone who will use this equipment.

Purpose

The Clemco Clem-Cool Air Conditioner (CCAC) allows the blast operator to control the temperature and volume of air to a Clemco high-pressure Type CE continuous flow supplied-air respirator within a preset range and to cool the air by as much as 50 degrees F.

Requirements for Operation

20 cfm at 90 to 100 psi of Grade D quality breathing-air as defined by the Compressed Gas Association Commodity Specification: G-7.1) (www.cganet.com)

Pressure requirements vary with hose length. (hose offered in 25 ft increments) Minimum pressure to produce minimum airflow to respirator.

25 ft - 75 ft	90 psi
100 ft - 200 ft	95 psi

NOTES:

1. Maximum air pressure: 100 psi.
2. Maximum hose length: 200 ft when used with respirator

Description of Operation

The Clem-Cool Air Conditioner is placed between the respirator air supply line and the helmet breathing tube. A knurled knob on the valve lets the operator adjust the cooling rate of the air entering the respirator.

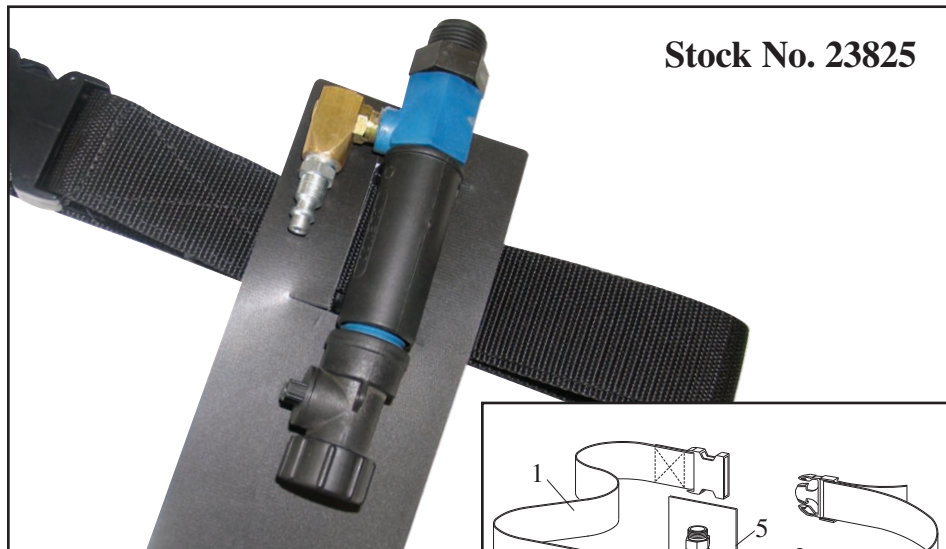
The Clem-Cool Air Conditioner cannot be closed completely, so the operator always has at least the minimum air volume required for breathing and for maintaining positive pressure inside the helmet.

The CCAC comes with a belt that adjusts to fit up to a 54-inch waist. The durable buckle can be fastened and unfastened with gloved hands.

A belt-mounted heat shield protects the operator from warm exhaust air (a byproduct of the production of cool air).

Description

Belt-mounted, adjustable valve — cools breathing air for use with Clemco Apollo HP respirator models. Allows operator to adjust flow and temperature of incoming air. Clem-Cool also can be used as the source of cool air for Clemco Comfort Vest.



Stock No. 23825

Advantages

- Increases productivity by keeping blast operator cool and comfortable
- Durable construction
- Lightweight NIOSH-approved comfort system

Certifications and Approvals

The Clem-Cool Air Conditioner is approved by NIOSH for use only with Clemco Apollo HP high-pressure Type CE supplied-air respirators (not for use with low-pressure respirators).

The Clem-Cool Air Conditioner is one component of a NIOSH-approved system; use of counterfeit parts voids the NIOSH approval.

To maintain NIOSH approval, use only genuine Clemco Apollo replacement parts.

Packaging

Ships in individual box

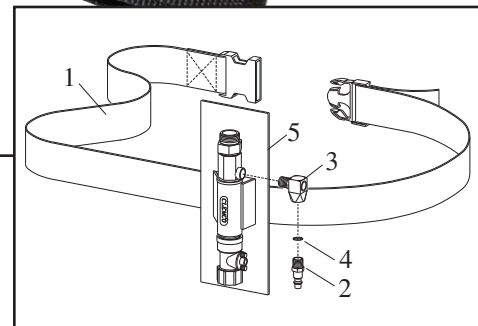
Shipping Dimensions

Height:	4-3/8"
Width (dia.):	13-3/8"
Depth:	5"
Shipping Weight:	1.32 lb

Color

Blue/Black body with black shield & belt

Clem-Cool Air Conditioner with Belt (CCAC)



Replacement Parts

Item	Description	Stock No.
(-)	Clem-Cool Air Conditioner Assembly with belt	23825
1.	Belt, 2" web	04430
2.	Disconnect, 1/4" NPT male	00015
3.	Elbow, 1/4" NPT swivel	23829
4.	Screen	08973
5.	Heat shield	08981

Authorized Distributor:

CANFIELD & JOSEPH

www.canfieldjoseph.com

800-364-5452

ISO 9001:2000 certified. Clemco is committed to continuous product improvement. Specifications are subject to change without notice.

© 2009 Clemco Industries Corp. • One Cable Car Drive • Washington, MO 63090 • Phone (636) 239-4300 • Fax (800) 726-7559

Stock No. 25396

www.clemcoindustries.com

Job No. 1195-0409