



CLEMCO
The Performance
System

TECHNICAL DATA SHEET

Note: For safe, efficient blasting, read and follow the owner's manual and seek training for everyone who will use this equipment.

Purpose

The Apollo Ambient Air Pump conveys breathing air from a clean-air environment outside the work area to low-pressure respirators worn by one to four operators inside the blast environment. The CAP-4 pumps air to the respirators without introducing oil, carbon monoxide, or other contaminants.

Requirements for Operation

The following items are required for operation, but are not included with this equipment:

- Compressed air supply between 30 and 70 cfm (depending upon the type and number of respirators used) capable of producing at a minimum of 85 psi with respirators connected, not to exceed 100 psi
- One to four NIOSH-approved low-pressure, type CE supplied-air respirators or up to six full face masks, approved to operate at 10 psi or less, and suitable for the application
- Appropriate approved respirator hose(s)
- Output from the ambient air pump must meet the standard for Grade D breathing air, as defined by the Compressed Gas Association Commodity Specification: G-7.1 (www.csgnet.com)

Description of Operation

The Apollo Ambient Air Pump must be placed outside of the blast environment in an area free of airborne contaminants. These potential contaminants include, but are not limited to the following — fumes from paints and solvents, exhausts from vehicles and compressors, smoke from burn barrels, and dust from abrasive blasting or other construction activities.

The ambient air pump moves air from a clean location to supply low-pressure respirators. To increase its effective range, the ambient air pump can be connected to an optional remote inlet kit — which allows the air inlet to be located up to 300 feet from the pump.

Description

The Apollo Ambient Air Pump, model CAP-4, is a cost-effective alternative to a breathing air compressor. The CAP-4 provides oil-free breathing air for one to four low-pressure type CE supplied-air respirators used for abrasive blast cleaning. It can supply air to any NIOSH-approved continuous flow hood or helmet style respirator approved to operate at 10 psi or less. [Note: Clemco offers single-operator model, CAP-1, Stock No. 22383. See data sheet No. 21998.]



CAP-4C shown

Before blasting begins, and before putting on the respirator, the operator connects the respirator hose to the ambient pump and to the fixed-orifice air inlet at the respirator. The operator starts the compressor, turns on the ambient air pump, adjusts the pressure, and checks for leaks, then puts on the respirator in a clean environment.

After blasting, the operators keep the respirators on and connected until they reach an area free of airborne dust and contamination.

The primary air connection uses a special quick-connect fitting that allows air to flow, even when not connected to a respirator. This keeps hazardous dust or other contaminants from entering the hose at the connection point.

Apollo Ambient Air Pump

Models

CAP-4C and CAP-4

Stock No. 22384 cart mounted

Stock No. 22530 with frame

Advantages

- Supplies air for up to four blast operators wearing type CE helmets or up to six operators wearing full face masks
- Eliminates the expense of separate compressor for breathing air
- Uses compressed air for power; works where no electric power is available
- Eliminates danger of carbon monoxide poisoning caused when high temperatures break down compressor's lubricants
- Requires no temperature alarms or additional air line filters
- Works with Clemco's CO Monitor Alarm (when specifications call for air monitoring)
- Model CAP-4C includes integral two-wheel cart and extendable handle
- Protective cage (both models) shields critical components from damage
- Easy to operate and maintain
- Can serve as air source for other respirators that operate at 9 cfm at 10 psi

Related Clemco Literature

Contractor Series Catalog	21385
Abrasive Blast Safety Practices	22090
Blast Off 2	09294
Apollo Safety System Product Study	07764

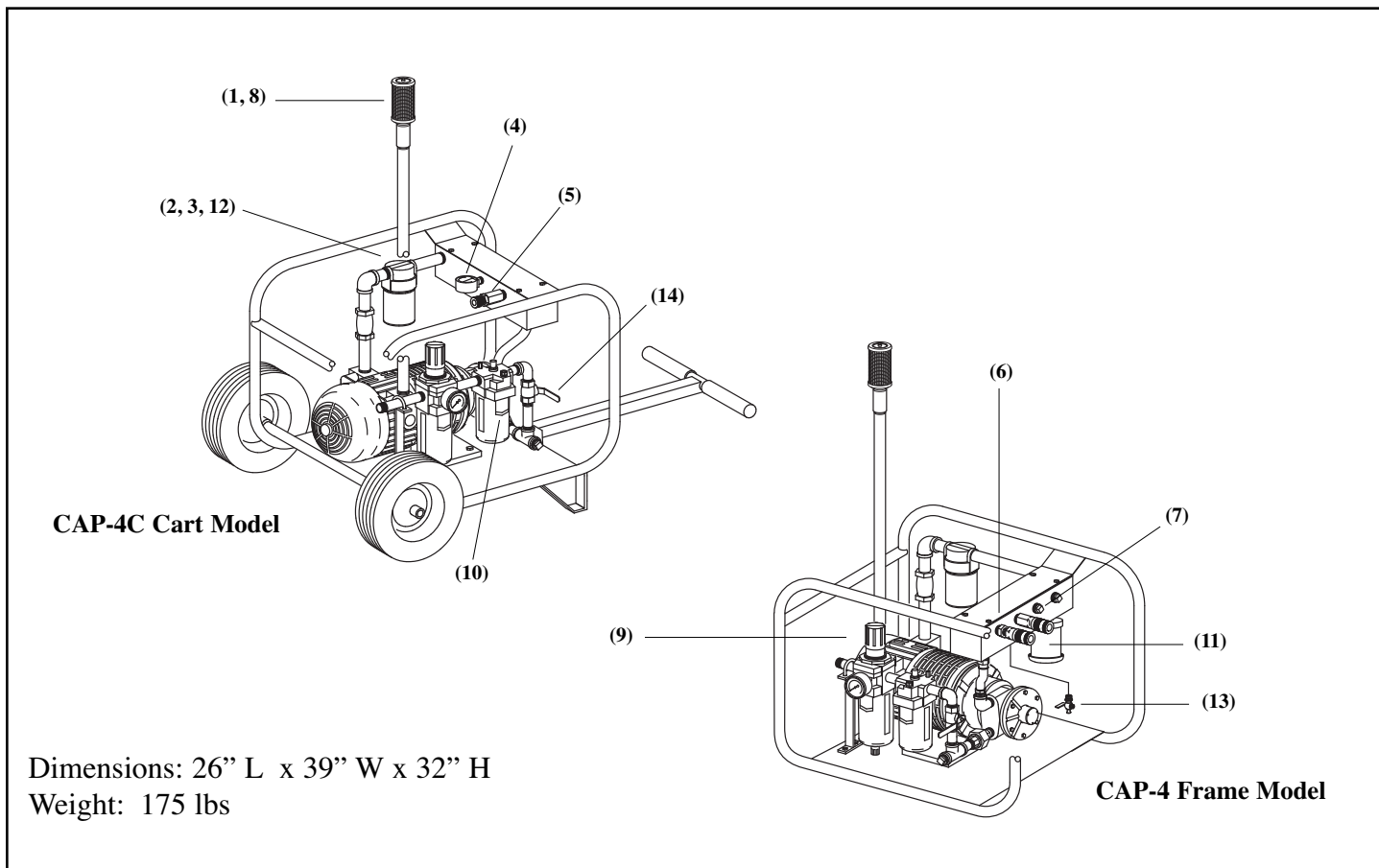
Options and Accessories

Apollo 20 LP with hose	21423
Apollo 60 LP with hose	22082
Remote Air Inlet (50 ft - 300 ft maximum)	21837
Remote Air Extension (50 ft - 100 ft maximum)	21838

Replacement Parts (same for both models)

Item	Description	Stock No
(-)	CAP-4C Ambient Air Pump w/cart, complete	22384
(-)	CAP-4 Ambient Air Pump w/frame, complete	22530

Item	Description	Stock No.
1.	Filter media, inlet filter	21830
2.	Filter cartridge, outlet filter	15030
3.	Gasket, outlet filter bowl	21831
4.	Gauge, 1/4" pressure, 0 - 30 psi	21832
5.	Relief valve	22434
6.	Disconnect, 3/8" open type	21834
7.	Disconnect, 1/2" closed type	22438
8.	Inlet filter assembly	22452
9.	Filter/Regulator, 1/2"	05530
10.	Lubricator, 1/2"	05531
11.	Element, exhaust muffler	05065
12.	Outlet filter, less element	22433
13.	Petcock, drain	01993
14.	Flow valve, 1/2" ball with handle	01241



Specifications

- Compressed air powered motor with adjustable inlet pressure
- Air flow output: 30 cfm at 5 psi with 95 psi air motor pressure
- Oil-free rotary vane air pump with four operator manifold
- Adjustable pressure-relief valve
- Manifold pressure gauge
- Inlet Filter: Disposable cloth element
- Outlet Filter: activated charcoal

Authorized Distributor:

**CANFIELD
& JOSEPH**

www.canfieldjoseph.com

800-364-5452

ISO 9001:2008 certified. Clemco is committed to continuous product improvement. Specifications are subject to change without notice.

© 2013 Clemco Industries Corp. • One Cable Car Drive • Washington, MO 63090 • Phone (636) 239-4300 • Fax (800) 726-7559

Stock No. 21999

www.clemcoindustries.com

1295 • Rev. E; 01/13