



# MARTIN® Screen Vibrator

*Martin Engineering is the world leader in the application of engineered vibration to improve material handling.*

*The **MARTIN® Screen Vibrator** provides efficient power to sort or separate material. Explosion-proof units bear the UL, cUL and ATEX marks.*

*The MARTIN® Screen Vibrator offers improved pricing, delivery from stock, and an unmatched 5-year warranty.*



*MARTIN® Screen Vibrator  
Covered by Martin Engineering's  
Unmatched 5-Year Guarantee.*

Stock one dual-voltage motor suitable for installation in an explosive atmosphere anywhere in the world, and be able to adjust the weights to match 3-panel or 4-panel screens for either Standard or High G.

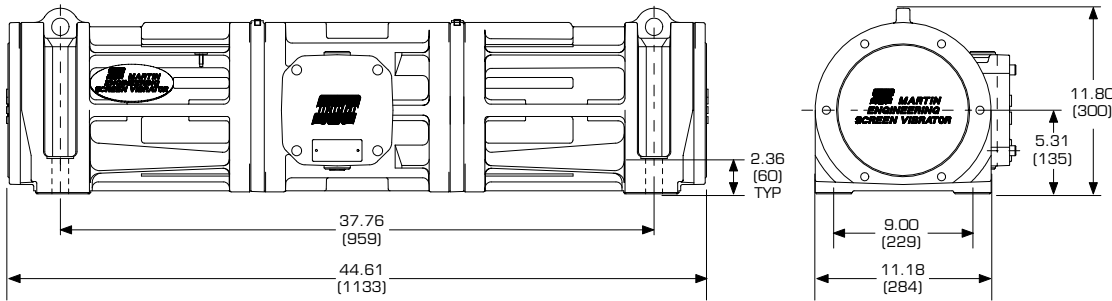
## BENEFITS

- High Performance**  
 Units provide up to 7710 pounds of centrifugal force for efficient material separation.
- Certified for Hazardous Duty**  
 Explosion-proof model has UL, cUL, and ATEX certification for use in hazardous locations around the world.
- Rated for VFD Drive**  
 Can be used with Variable Frequency Drive in ordinary and hazardous atmospheres.
- Low Maintenance**  
 Only service required is bearing lubrication with a grease gun every 2000 operating hours.
- Quiet Operation**  
 Long-life bearings produce less noise than original equipment vibrator's oil bath bearings.
- Adjustable Output**  
 Eccentric weights are adjustable with hand tools to match "High G" or "Standard G" screen performance.
- Dual-Voltage Units**  
 Can be used in locations with different electrical power supply voltages.
- Simple Installation**  
 Bolt it in, wire it up, and turn it on; "direct" replacement needs no adapter mount to fit DERRICK® Vibrating Screens.
- Dependable Engineering**  
 Sturdy design is proven in rugged testing and in field applications.
- Satisfaction Guaranteed**  
 Covered by Martin Engineering's unmatched 5-Year Guarantee.

## PERFORMANCE/ORDER INFORMATION

P/N	MODEL	RPM	MECHANICAL FEATURES						ELECTRICAL FEATURES	
			Unbalance in-lbs (kg-cm) 60 HZ		Centrifugal Force lbs (kg) 60 HZ		Weight lbs (kg) 60 HZ		Power Output Horsepower 60 Hz	Max. Current Amps 60 Hz/460 V
C601398	SVX18-7710	1800	82.5	(95.1)	7710	(3497)	350	(159)	2.5	3.5
C601398-72	SVX18-6750	1800	71.9	(82.9)	6750	(2980)	350	(159)	2.5	3.5
C601398-48	SVX18-4400	1800	47.7	(55.0)	4400	(1996)	350	(159)	2.5	3.5
C601398-42	SVX18-3850	1800	41.8	(48.2)	3850	(1746)	350	(159)	2.5	3.5
C601401	SV18-7710	1800	82.5	(95.1)	7710	(3497)	350	(159)	2.5	3.5
C600308	SV36-7000	3600	19.2	(22.1)	7067	(3206)	304	(138)	2.5	3.6

DIMENSIONS - in. (mm)



Explosion-Proof Models Available UL, cUL, and ATEX Certificates.

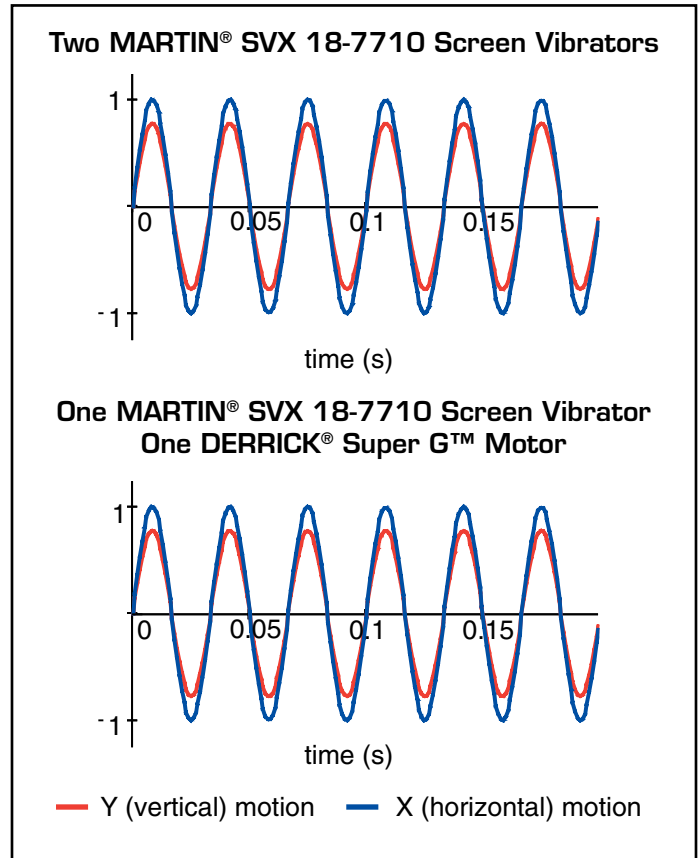
MARTIN® Screen Vibrator Comparative Testing

To assure its suitability for direct replacement, the MARTIN® Screen Vibrator was tested in direct comparison to the DERRICK® Super G™ Vibrating Motor.

In the testing of individual and dual-1800 rpm vibrator installations, vibration was monitored in two directions: perpendicular to the material flow (Y) and parallel to the material flow (X). Measurements were performed using accelerometers at a number of fixed points along the screen.

As seen in the graphs at the right, the amplitude and frequency of screen deck vibration were shown to be the same.

Features	MARTIN® Screen Vibrator	DERRICK® E-Series Super G™ Vibrator
Motor Output Power	2.5 hp (1865 watts)	
Maximum Centrifugal Force Output at 1800 rpm	7710 lbs force	
Maximum Centrifugal Force Output at 3600 rpm	7000 lbs force	
9.00 X 37.75-in. bolt pattern	✓	✓
Adjustable Force Output (Eccentric Weights)	✓	
Dual Voltage (230/460)	✓	
Suitable for Variable Frequency Drive (VFD)	✓	
ATEX Certification for Hazardous Duty	✓	
Water-Tight Enclosure (IP66)	✓	
Electrically Repairable	✓	
5-Year Warranty	✓	



DERRICK® and Super G™ Motors are trademarks of Derrick Equipment Company, Houston, Texas. There is no affiliation between Derrick Equipment Company and Martin Engineering.

QUALITY MANAGEMENT SYSTEM  
 CERTIFIED BY DNV  
**ISO 9001**

MARTIN ENGINEERING USA  
 One Martin Place  
 Neponset, IL 61345-9766 USA  
 800-544-2947 or 309-594-2384  
 FAX: 309-594-2432  
 www.martin-eng.com