

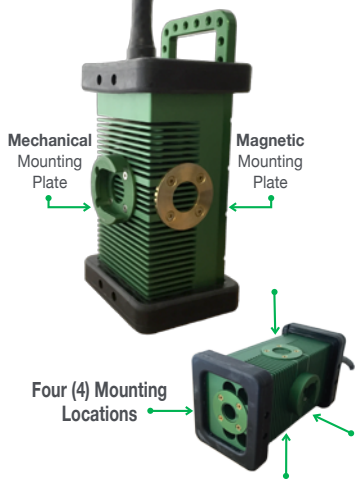
STANDS & MOUNTS



Various stands & mounting options specially built and available for use with The BRICK™: 9610 LED - Explosion Proof Area Light.

The BRICK™: 9610 LED - Mounting Spec Sheet

December 2016



Magnetic/Magnetic: Multi-Position Knuckle Magnetic/Mechanical: Multi-Position Knuckle Mechanical/Mechanical: Multi-Position Knuckle Quad-Pod & Hand-Cart/ Magnetic: Multi-Pos. Knuckle Quad-Pod & Hand-Cart/ Mechanical: Multi-Pos. Knuckle

The BRICK™ is designed with mounting plates on four sides of the light body to facilitate versatile magnetic or mechanical mounting and connection options specifically engineered for this light. Designed to work in combination with the stands & mounts available from Western Technology.

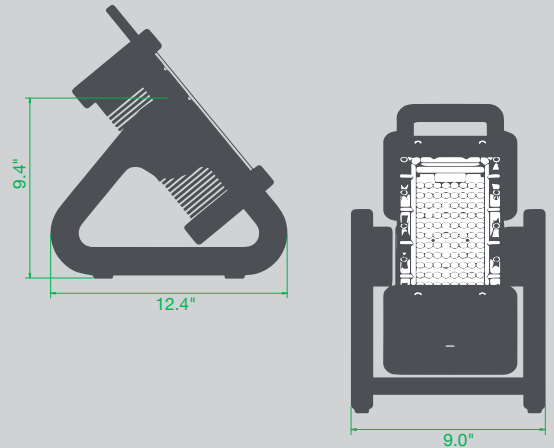


A-Frame Mount

A-FRAME MOUNT

Our A-Frame Mount is designed and built to provide a smaller, lower profile & wider base for extra stability. Easily adjust & reposition the beam angle giving the user better productivity.

- ▶ Machined out of solid blocks of aluminum providing superior durability.
- ▶ Comes with black polyurethane bumpers for area protection & stability.
- ▶ Built to use with either mechanical or magnetic mounting plates

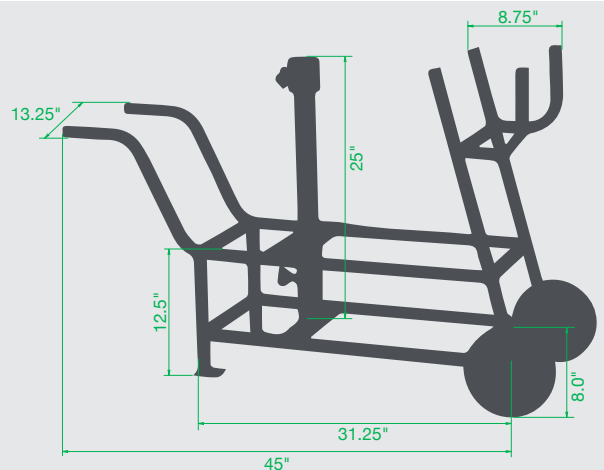


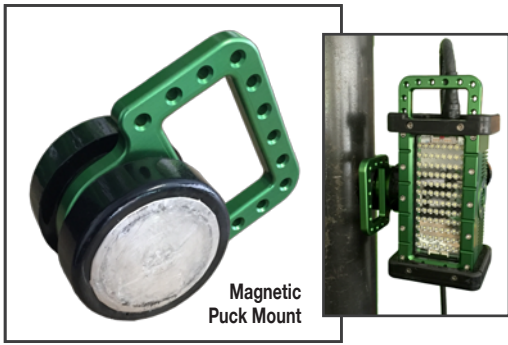
Hand Cart Mount
[Shown w/ 2 BRICKs, Double Light Mount (Yoke) & Mechanical Knuckles]

HAND CART MOUNT

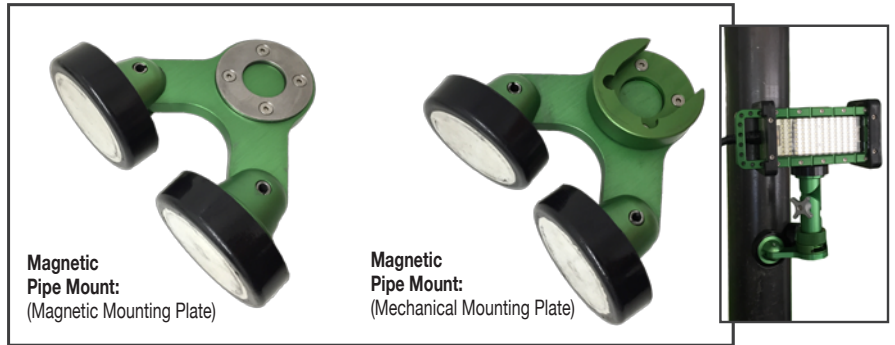
This free-standing mount comes with wheels, handles and a place to hold those heavy cords. You can wheel those BRICKs right into position.

- ▶ Built with non-sparking aluminum and stainless steel components throughout
- ▶ Add the "Yoke" Mount to provide 2 mounting locations for more than one BRICK™.
- ▶ We recommend our multi-position knuckles for multi-directional lighting.





Magnetic Puck Mount



Magnetic Pipe Mount:
(Magnetic Mounting Plate)

Magnetic Pipe Mount:
(Mechanical Mounting Plate)

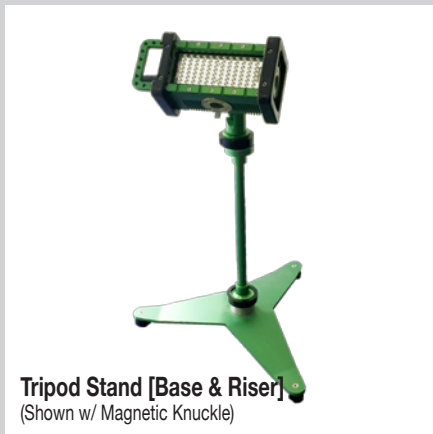
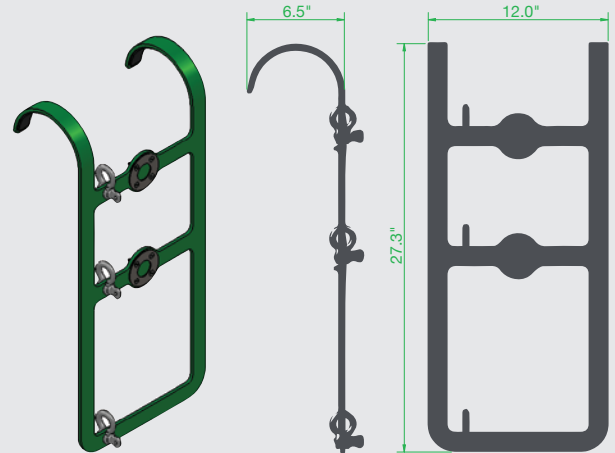


Ladder Mount

HAND RAIL/LADDER MOUNT

Use the Ladder Mount to easily hang your BRICK to any ladder or hand rail.

- ▶ Built with non-sparking aluminum and stainless steel components throughout
- ▶ Rubber strip backing for better grip.
- ▶ 2 mounting locations
- ▶ 3 shackles for safety strap, providing added protection.

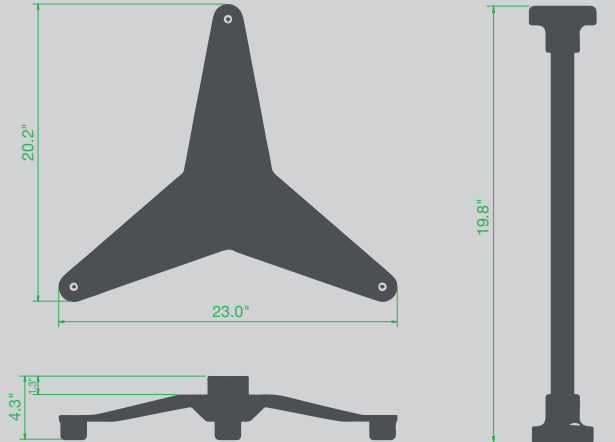


Tripod Stand [Base & Riser]
(Shown w/ Magnetic Knuckle)

TRIPOD STAND (BASE & RISER)

Tripod stand includes the base & riser. Use separate or magnetically connect them together.

- ▶ Built with non-sparking aluminum and stainless steel components throughout
- ▶ Magnetic connectors allow for easy mounting.
- ▶ Polyurethane bumpers and foot pads for extra protection and stability.



Quad Pod Stand
(Shown w/ Magnetic Knuckle)
Folds to 64" - Extends to 95"

QUAD POD STAND

At Western Technology we understand the demanding and even brutal environments where you work. Our Quad Pod stand is designed and built to take the abuse so you can focus on your work.

- ▶ Built with non-sparking aluminum and stainless steel components throughout
- ▶ Lightweight and compact; stand folds to 64" inches and extends to 95"

